

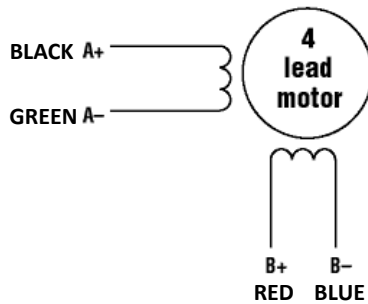
## Motor Series – 11 HS Series 1.8°



### Key Features

- Low Inertia
- High Accuracy
- Small Size

### Wiring Diagram



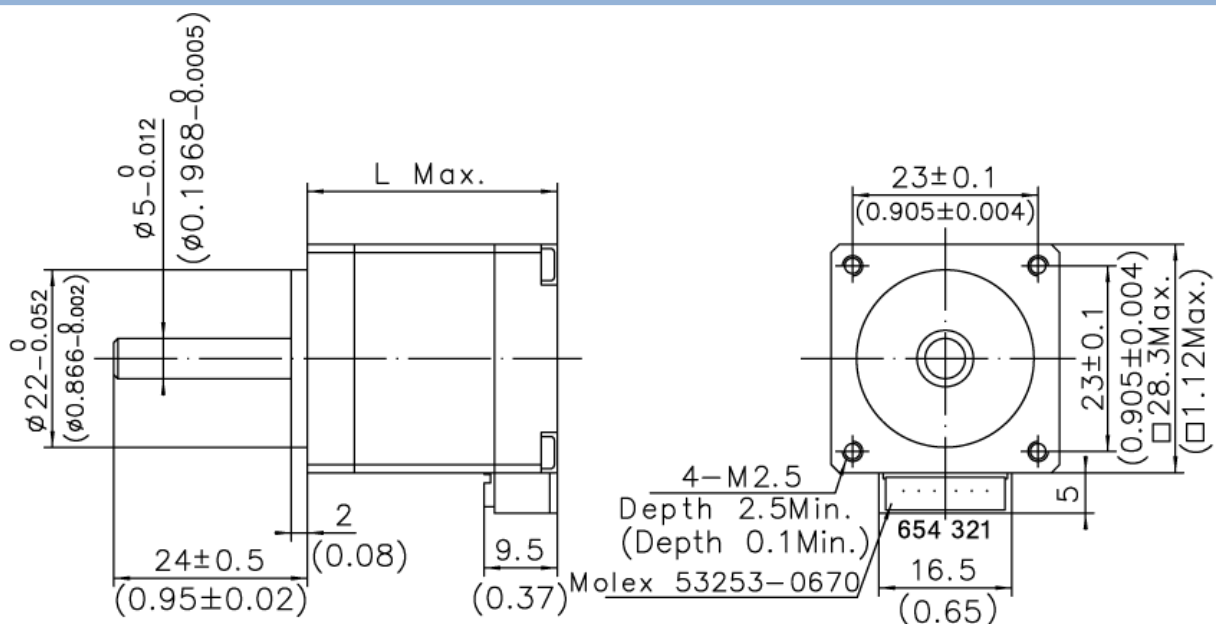
Model Number	Length	Mass
	mm (in.)	Kg(lb.)
M11HS1**	31 (1.21)	0.10(0.22)
M11HS5**	51 (2.01)	0.20(0.44)

### General Specifications

Bi-Polar

Model Number	Resistance per Phase	Inductance per Phase	Rated Current	Holding Torque		Detent Torque		Rotor Inertia	
	ohm	mH	A	mNm	oz-in	mNm	oz-in	g.cm <sup>2</sup>	oz-in <sup>2</sup>
M11HS16	5.6	4.3	0.67	60	8.50	5	0.71	9	0.05
M11HS59	9.2	5.4	0.67	110	15.58	8	1.13	18	0.10

### Mechanical Dimensions



**COMPLETE AUTOMATION SOLUTIONS**

34-B JALAN TUN DR. AWANG, 11900 BAYAN LEPAS, PENANG, MALAYSIA.

TEL: 604-6422595 FAX: 604-6415596

sales@exclusive-master.com