

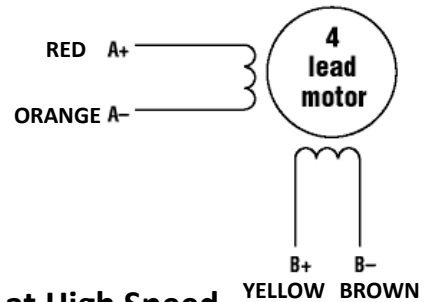
Motor Series – 17-HD66 Series 1.8°



Key Features

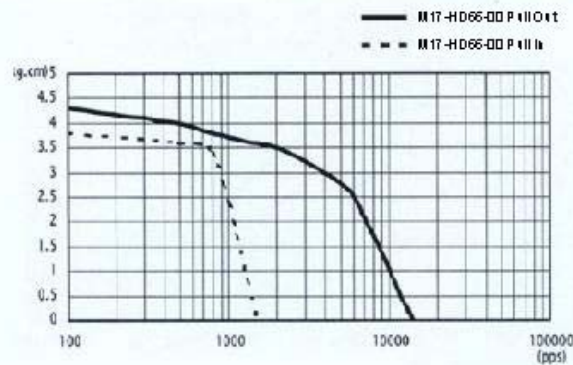
- Low Noise
- High Torque
- Better Performance at High Speed

Wiring Diagram



Dynamic Torque Curves

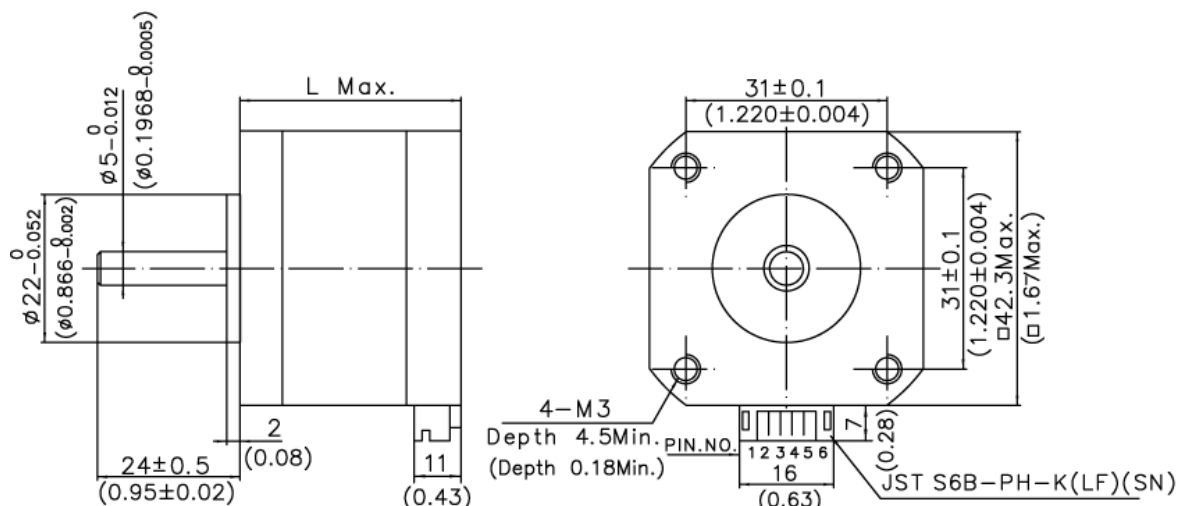
24V Constant Current Drive
 M17-HD66-00



Model Number	L	Mass
	mm	Kg
M17-HD66-00	48	0.37

Model Number	Step Angle	Rotor Inertia	Number of phase	Resistance Per Phase	Inductance Per phase	Rated Current	Holding Torque	Detent Torque
	Deg	g.cm ²	Number	Ohm	mH	A	mNm Min.	mNm Max.
M17-HD66-00	1.8	82	2	4.7	8.5	1	490	25

Mechanical Dimensions



COMPLETE AUTOMATION SOLUTIONS